

# HyperSound™ System (HSS) Demo and Evaluation Systems

## Set-Up and Operation Guide

Follow this step-by-step guide for an optimal installation.

### Included:

- ✓ 2 HSS Emitters (Speakers)
- ✓ 2 Sets of Red & Black Emitter Cables With Banana Connectors
- ✓ 1 Audio Cable – RCA plugs (male) to 3.5mm Male Stereo Jack
- ✓ 1 Amplifier plus 30 volt DC Power Supply\*
- ✓ 1 Instruction Booklet

\*If your unit includes the optional Woofer, please reference Woofer-specific instructions (page 3) for set-up.

### Without Optional Woofer



### With Woofer



This information is also available in video format: <http://vimeo.com/57975131>

# Connection

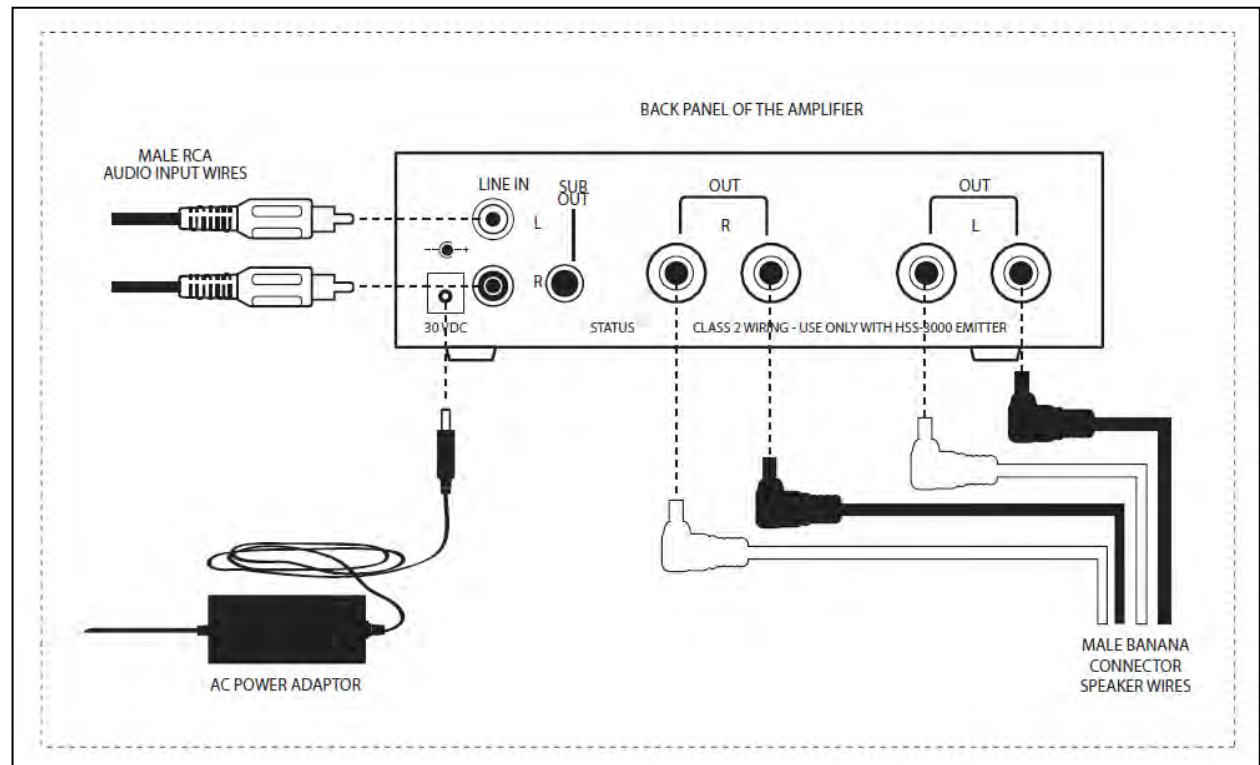
**NOTE:** Unplug equipment while configuring all audio and power connections.

## STEP 1: Red & Black Emitter Cable Connections

Connect Cables with red and black Banana connections to the back of each Emitter and the corresponding ends to the back of the Amplifier as shown.

## STEP 2: RCA Cable Connections

Plug the dual RCA Jack end of this Cable into the Amplifier. Connect the other end to your audio source (iPhone, iPad, PC, MP3 Player, TV, etc.) The input impedance is approximately 10k Ohms.



**NOTES:** Prevent static by ensuring the Audio Cable does not become tangled with the Emitter Cables. Allow several minutes for the HSS unit to fully activate before testing volume.

### STEP 3: Amplifier Power Connection

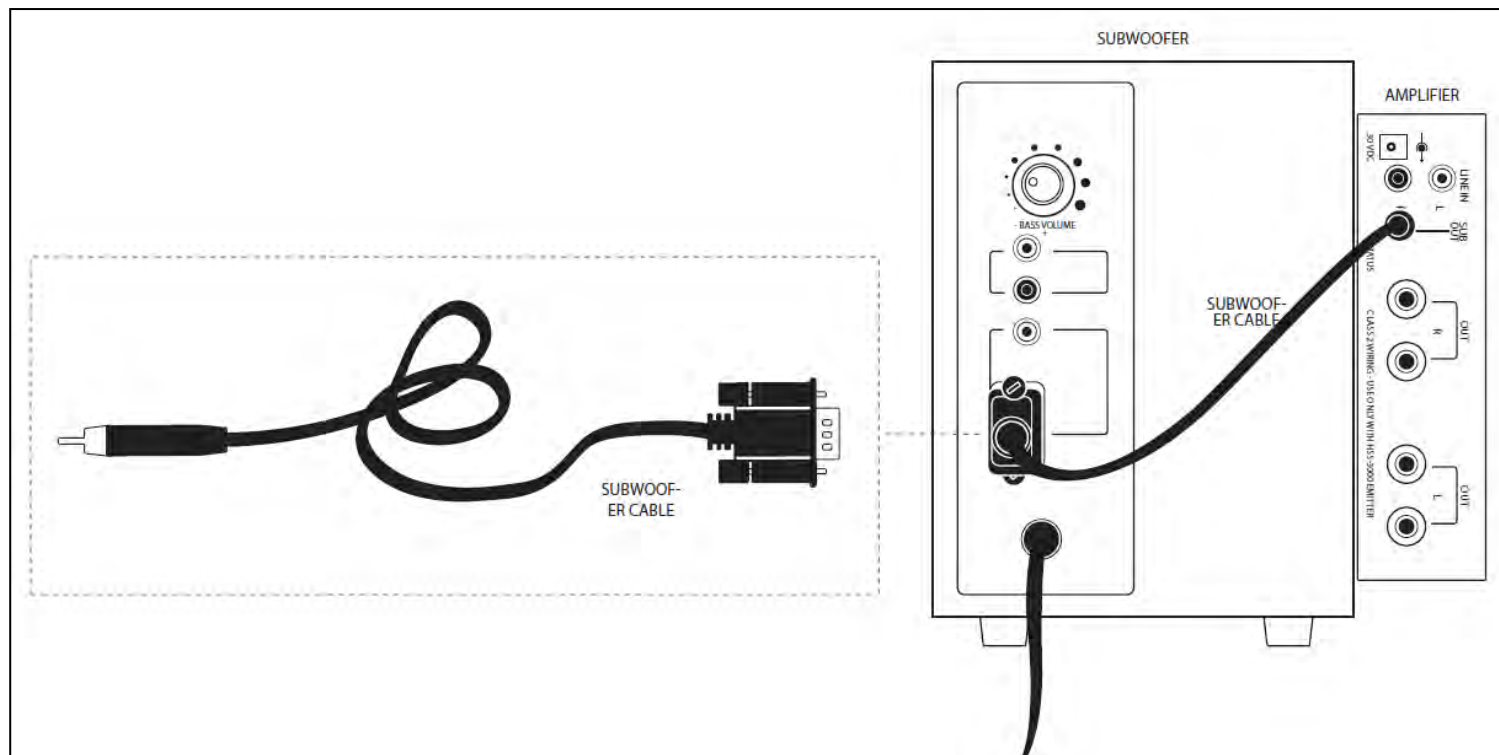
1. Plug the Amplifier Power Cord into the 30v DC Supply located on the back of the Amplifier
2. Plug the Amplifier Power Supply into a properly grounded AC outlet

**NOTE:** The HSS unit does not have a power switch. It will automatically turn ON when AC power is established. After connecting to the AC power outlet, a small LED light located next to the DC power receptacle will glow **green**, indicating the unit is on.

### Optional Set-Up: Woofer Combo Box Connections

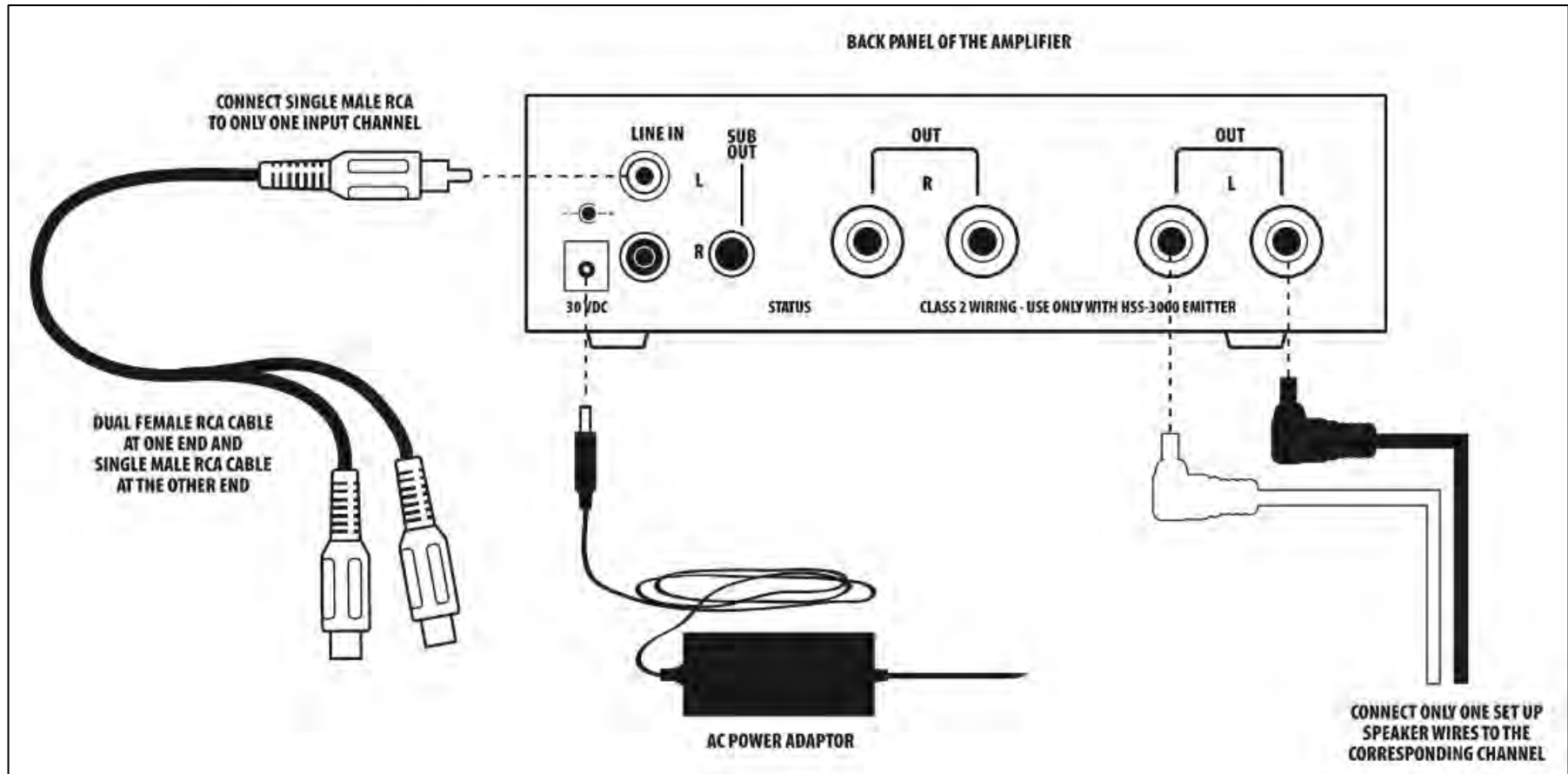
#### Woofer Cable with One Male RCA and DB9 Connection

1. Connect Male RCA connection to Sub Out connection on the back of the Amplifier
2. Plug the DB9 Connector to the Female DB9 Connector on the back of the woofer



### Optional Set-Up: Single Channel (Mono)

1. Take the dual female RCA cable with the single male RCA cable at the other end, and connect the single male RCA to only the L (left) input channel.
2. Connect only one set of speaker wires to the corresponding L (left) channel.

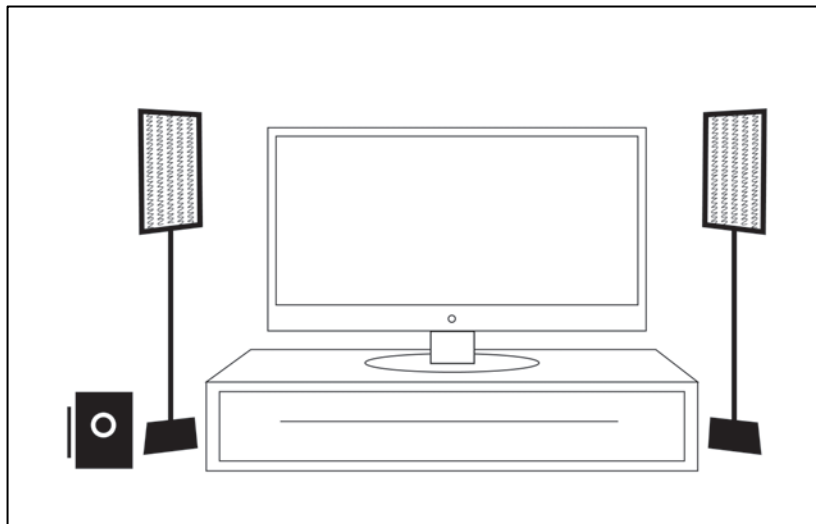
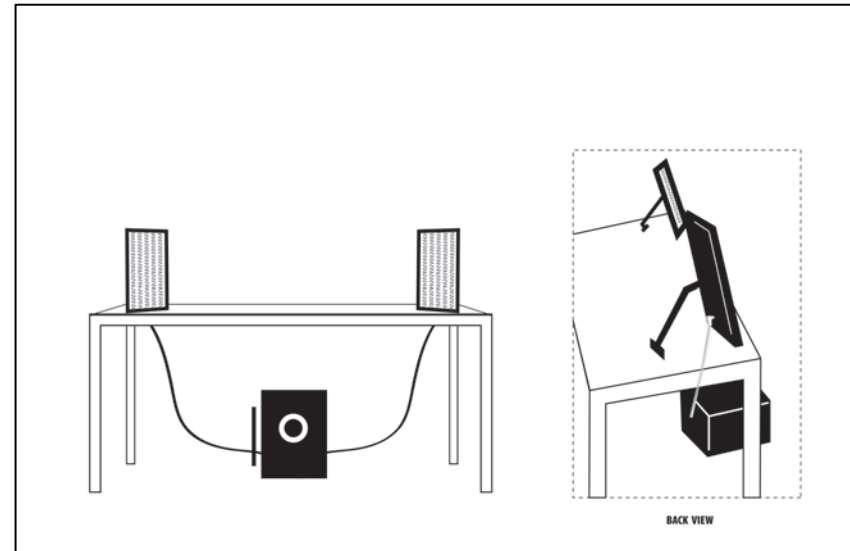


## Emitter Set-Up & Alignment

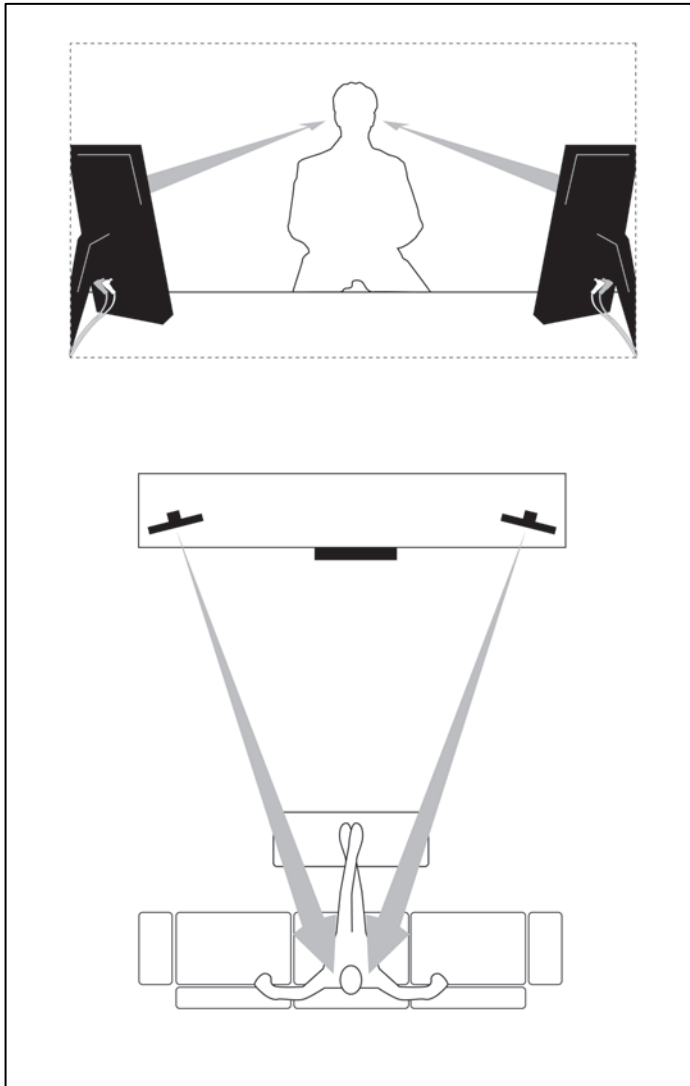
### STEP 1: Set-Up Location

Place the two Emitters approximately 5 feet apart on a level surface, such as a table. Angle the Emitters slightly in (as shown in diagram to right).

If your unit includes floor-standing speakers instead of desktop speakers, place the Amplifier next to one of the floor-standing speakers, as shown in diagram on bottom left.



If your unit consists of the Amplifier/Woofer Combo Box with AC Power Supply, place it on the ground, centered below the two Emitters (see back view at top right). Do not block the sound port on front of the unit.



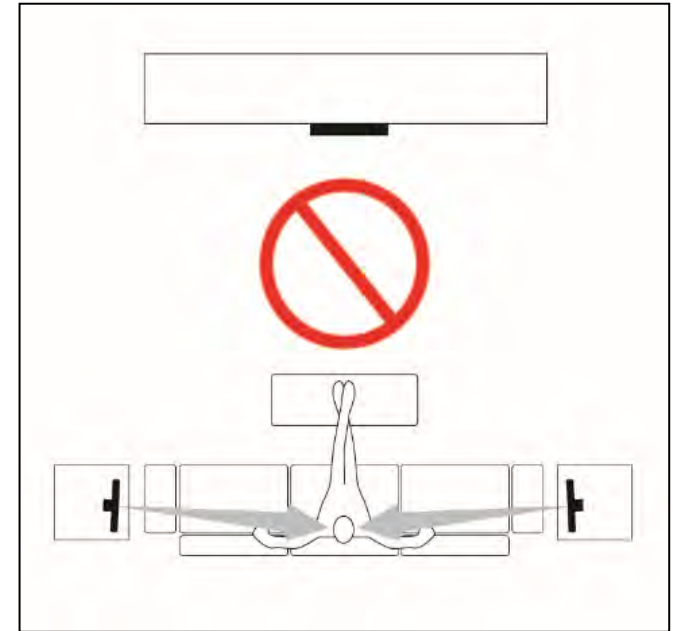
### STEP 2: Chair Placement

Center a chair directly in front of and approximately 5 feet from the Emitters, as shown in the diagram to the left. Have a test Listener sit in the chair. The diagram to the right shows incorrect positioning.

### STEP 3: Angling the Emitters

HSS sound is acutely directional. The Emitters must be set at the exact same angle from the Listener to achieve the optimal level of highly targeted sound. To ensure they are placed properly, first set them side-by-side. Direct the left Emitter toward the Listener's left ear, and the right Emitter toward the Listener's right ear. Adjust the Emitters so that they are at equal angles to the chair, as shown in the left diagram.

### Incorrect Emitter Placement



#### **STEP 4: Playing Test Tracks**

1. Connect the 3.5mm jack of the audio cable into your audio player device (iPhone, iPad, MP3 player, PC, TV, etc.)
2. Play the desired audio track

As you play the test tracks, the Listener should hear the sound equally from each Emitter. If the Listener feels the audio is not balanced, adjust the Emitters by turning them in or out until the Listener reports that the sound is centered. The Listener can also adjust the chair location to obtain optimal sound.

Volume is controlled by the audio source device. Adjust the bass with the dial located on the backside of the Woofer (if it is included with your unit). It is suggested that the dial be positioned at the 11 o'clock position.